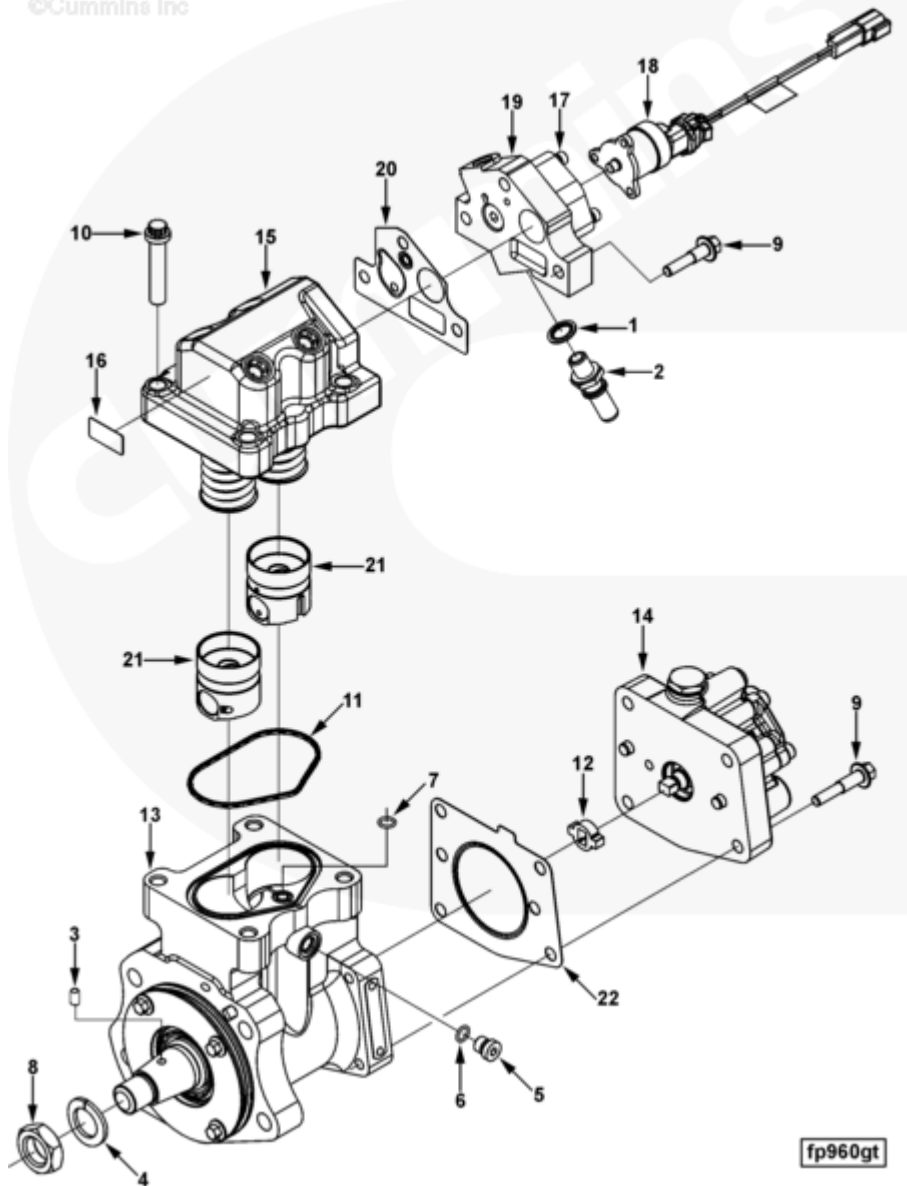




Parts Catalog - Option Detail

Electronic Parts Catalog - Option Detail				
Option	Group	Graphic	Film Card	Date
FP90311	05.01	fp960gt	Z	19-APR-04
Engines	6C8.3, C GAS PLUS CM556, G8.3, G8.3 CM558, GTA8.3 CM558, ISC CM2150, ISC CM554, ISC CM850, ISC8.3 CM2250, ISC8.3 G CM2180 C101, ISL CM2150, ISL CM554, ISL CM850, ISL G CM2180, ISL8.9 CM2150 L110, ISL8.9 CM2880 L112, ISL9 CM2150 SN, ISL9 CM2250, ISL9 CM2350 L101, ISL9 CM2350 L111, ISLE4 CM850, L GAS PLUS CM556, L8.9, L8.9 L121, L8.9G CMOH2.0 L125B, L9 CM2350 L116B, L9 CM2350 L119B, L9 CM2350 L120C, L9 CM2350 L123B, L9.3 L105, L9.5 L117, L9N CM2380 L124B, QSC8.3 CM2250, QSC8.3 CM2880 C102, QSC8.3 CM554, QSC8.3 CM850(CM2850), QSL9 CM2250, QSL9 CM2250 L115, QSL9 CM2350 L102, QSL9 CM2350 L107, QSL9 CM2350 L118, QSL9 CM2350 L122, QSL9 CM554, QSL9 CM850(CM2850), QSL9 G CM558, QSL9 M CM2250 L106, QSL9.3 CM2880 L113			



SMALL | MEDIUM | LARGE

Cart	Ref No	Part Number	Part Description	Required	Remarks
View My Cart					
		FP90311	Fuel Pump		MR - PUMP, FUEL...(More)
					Fuel Pump Manufacturer /
					Model: CAPS II
					Engine Family: C & L Series
					Engine Design Phase: Pegasus
					Fuel Pump Mounting Pilot Bore
					Diameter (mm): 107
					Fuel Pump Mounting Flange
					Bolt Circle Diameter
					(mm): 130
					Fuel Pump Mounting Holes: 4
					x M12 Thru
					Unique Characteristics:
					Assembly Incorporates 1
					Connect Fitting for
					Applications Requiring Off
					Engine (Remote) Mounted Fuel
					Filter
<input type="checkbox"/>		3975375	Fuel Pump Assembly	1	
<input type="checkbox"/>	1	3963990	Sealing Washer	1	M12.
<input type="checkbox"/>	2	3969822	Quick Disconnect Connector	1	
		4921431	Fuel Pump	1	Recon Equivalent 4921431 NX
<input type="checkbox"/>	3	3329899	Pin Dowel	1	
<input type="checkbox"/>	4	3330252	Spring Washer	1	
<input type="checkbox"/>		3678923	Threaded Plug	3	M10 X 1.00 X 13.5
<input type="checkbox"/>	5	3678924	Threaded Plug	1	M10 X 1.00 X 13.5
<input type="checkbox"/>	6	3678925	O-Ring Seal	1	M10.

<input type="checkbox"/>	7	3867640	O-Ring Seal	1	
<input type="checkbox"/>	8	3926593	Regular Hexagon Jam Nut	1	M20 x 1.50
<input type="checkbox"/>	9	3928873	Hexagon Flange Head Cap Screw	7	M8 x 1.25 x 40
<input type="checkbox"/>	10	3946085	Twelve Point Cap Screw	4	M10 x 1.50 x 50
<input type="checkbox"/>	11	4010636	Fuel Pump Body Seal	1	
<input type="checkbox"/>	12	4061755	Distributor Drive Hub	1	
	13	4088604	Fuel Pump Body	1	Recon Equivalent 4088604 NX
<input type="checkbox"/>	14	4088866	Fuel Pump	1	
<input type="checkbox"/>	15	4902732	Fuel Pump Head	1	
	16	4903291	Identification Tag	1	
<input type="checkbox"/>		4921432	Fuel Pump Adapter	1	Individual Parts Available
<input type="checkbox"/>	17	4088595	Socket Head Cap Screw	3	M5 x 0.80 x 16
<input type="checkbox"/>	18	4903523	Electronic Fuel Control Actuator	1	Actuator Only
<input type="checkbox"/>	19	4921433	Fuel Pump Adapter	1	Recon Equivalent 4921433 NX
<input type="checkbox"/>	20	4921436	Fuel Pump Gasket	1	
<input type="checkbox"/>	21	4921732	Pump Tappet	2	
<input type="checkbox"/>	22	4928575	Fuel Pump Gasket	1	